

CLIENTS

Commercial

- General Dynamics Corporation
- Computer Sciences Corporation (CSC)
- AMSEC
- Woods Hole Steamship Authority
- Varian Associates, Inc.
- Autoroll Machine Corp
- Presmet Corporation
- Diamond Semiconductor Group, Inc.
- Teledyne Engineering Services
- LAM Research
- RCN Corporation
- Quality Inspection Services, Inc.
- CARDI Corporation

State and City

- Commonwealth of Massachusetts -
Division of Asset Management
- Massachusetts Department of Corrections
- City of Revere

U. S. Government

- Army Corps of Engineers (USACE)
- National Park Service
- Geological Survey
- Department of the Treasury
- Department of Transportation (DOT)
- Maritime Administration (MARAD)
- Military Sealift Command (MSC)
- U. S. Navy
- U. S. Coast Guard

MSC LOCATIONS

Corporate Headquarters

Boston, MA

68-70 Fargo Street

Boston, MA 02210

(617) 542-3345

Fax (617) 542-2461

E-Mail: info@mscorp.net

Website: www.mscorp.net

Offices

Norfolk, VA

711 Falcon Ave, Suite B-3

Chesapeake, VA

(757) 494-9025

Fax (757) 494-9026

Other Locations

Mayport, FL

Philadelphia, PA

San Diego, CA

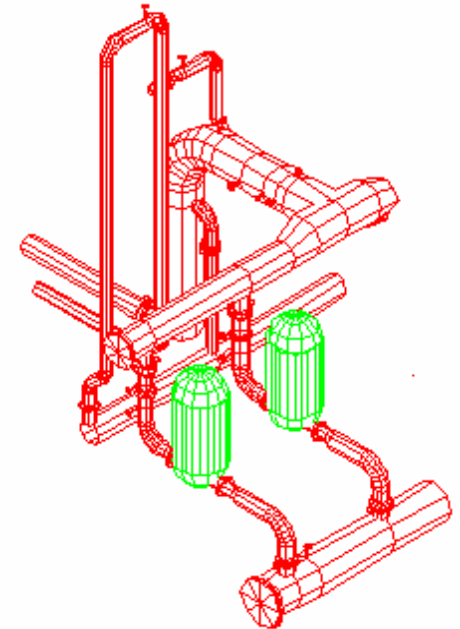
Bath, ME

Columbus, OH



ENGINEERING

AND



DESIGN

**MSC is a
Service-Disabled Veteran-Owned
Small Business (SDVOSB)**

www.mscorp.net

COMPANY BRIEF

MSC is a **Service-Disabled Veteran-Owned Small Business (SDVOSB)** Engineering and Design firm established in Boston, Massachusetts in 1973. MSC successfully supports a wide array of private and public industries in all areas of CAD and Structural, Civil, Mechanical, and Electrical disciplines.

The MSC technical staff consists of engineers and designers with extensive experience in CAD, Engineering, Design, Planning and Estimating, Scheduling, Data Processing and Material Support. The fulltime staff is supplemented by a network of expert consultants.

ENGINEERING & DESIGN

- Project Management
- Mechanical, Electrical, Structural Eng.
- Machine Design Support
- Re-Design & ECO's
- Electric Load Analysis
- Non-Destructive Testing
- Cost Estimating
- Finite Element Analysis
- Scheduling
- Test & Evaluation
- On-site Technical Engineering
- Technical Documentation
- Calculations
- Specifications

PHASE SUPPORT

- Conceptual Design
- Preliminary Design
- Detail Design
- Preparation of Bid Documents
- Bid Phase Services
- Construction Phase Services

SYSTEMS SUPPORT

- Mechanical Systems
- Electrical Systems
- Water and Sewage
- Communications and Security
- Plumbing
- HVAC
- Pumping Stations
- High Pressure Air Systems
- Metric Conversion & Design
- Maintenance Plans
- System Testing Requirements
- Fire Protection
- Secure/Unsecure Computer Networks

CAD

- 3-D Modeling
- Space Arrangements
- Assembly Drawings
- Detail Drawings
- Scan Drawings to CAD
- Raster/Vector Conversion
- Exploded Views
- Multi Color Schematics

INTERACTIVE ELECTRONIC TECHNICAL MANUALS (IETM)

-
- Legacy Manual Conversion
- New Technical Manual Development
- IETM Web-Site Maintenance
- IETM Technical Updates
- IETM Publishing
-

CLIENT BENEFITS

- Full Service Engineering and Design
- Licensed Professional Engineers
- Efficient, Cost Effective Support
- Demonstrated Technical Expertise
- Experienced in Government (Federal and State) Contracting Requirements
- Service-Disabled Veteran-Owned Small Business (SDVOSB) Plan Support